

# Ulisse

# SCALIGERA

packaging

ERREGI AUTOMATION s.r.l.



## 5 good reasons for **sleeve** packaging...

- strong and flexible plastic film
- adds colour to your product and enhances its image
- seals, protects and guarantees the product which reaches the consumer
- it's the ideal covering for any kind of container (glass, plastic, aluminium, ...)
- it can cover 100% of the product thanks to its heat shrinking properties

# Ulisse

## TECHNICAL FEATURES

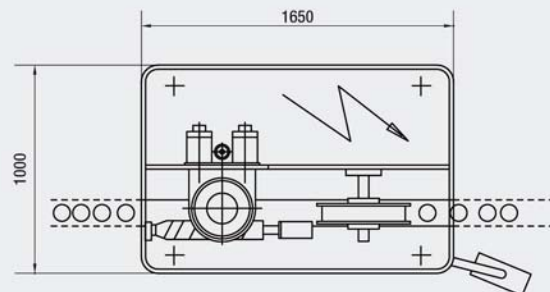
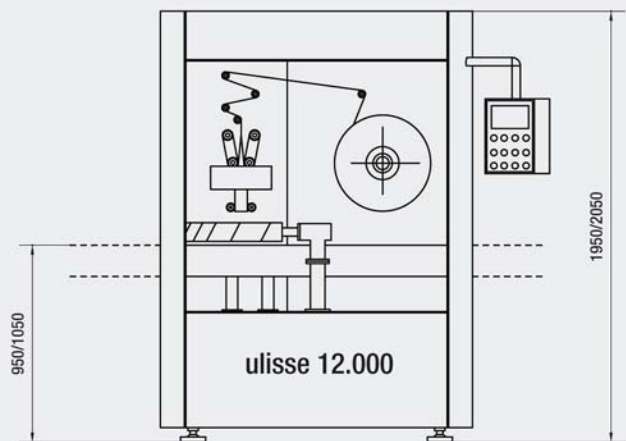
Ulisse is the product of experience acquired over many years in the search for technologically innovative solutions. The results obtained are demonstrated by the simplicity of the applied mechanisms, reliability for full-time production and flexibility in changing production. Ulisse has been designed for companies which want to give their products a new look by adopting new technologies which are easy to apply and guarantee a level of market impact which can yield immediate results.

**Safety** has been achieved by scrupulously observing the relevant standards to ensure trouble-free operation. The **computerised running** of the machine also throws up interesting possibilities for managing the production process data with interface to company databases.

An online customer support service through the Internet guarantees the user company completely smooth operating.

## OPTIONALS

- Sleeve heat-shrinking oven (air/steam)
- Total sleeve positioner-Guarantee seal positioner
- Horizontal or vertical pre-cut
- End of reel control
- Double reel storage
- Check on presence of sleeve on container



MODEL	Ulisse 4.000	Ulisse 6.000	Ulisse 9.000	Ulisse 12.000	Ulisse 17.000	Ulisse 22.000	Ulisse 30.000
Production	4.000 pieces/h	6.000 pieces/h	9.000 pieces/h	12.000 pieces/h	17.000 pieces/h	22.000 pieces/h	30.000 pieces/h
Air consumption	100 NL/min	100 NL/min	150 NL/min	200 NL/min	200 NL/min	300 NL/min	300 NL/min
Installed power	2.8 Kw	2.8 Kw	3.0 Kw	3.2 Kw	4.0 Kw	5.0 Kw	5.0 Kw
Total height	2.000 mm	2.000 mm	2.000 mm	2.000 mm	2.000 mm	2.000 mm	2.000 mm

## Financing methods

Besides the usual forms of supply, our technical-commercial office can offer personalised solutions, working out financing methods related to the productivity benefits which each user is able to put into practice. scun utilizzatore è in grado di realizzare.