



Stretch Sleeve Applicators

 **AXON**[®]
CORPORATION

STYROTECH[®]

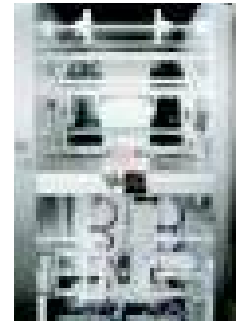
A Pro Mach Operating Partner

Stretch Sleeve Applicators

Heavy-duty construction. Versatile design. Easy-to-use and maintain. It's no wonder Axon/Styrotech is the first name that comes to mind among stretch sleeve labeling across the globe.

Made Tough For Three-Shift Production

In thousands of installations worldwide, our technology is working around the clock under harsh, high volume conditions. You simply won't find a more reliable, more advanced means of automating your stretch sleeve labeling operations.



Along with a number of durable features, both the mainframe and enclosures are crafted of tough, stainless steel and made to perform at peak efficiency for years to come.

A Range Of Models To Fit Your Application

At Axon/Styrotech, you'll find exactly what the job requires with the value you're looking for. Both our fully automatic ST-925L and semi-automatic ST-700L series applicators are excellent for large containers. Our patented, intermittent motion ST-1500 and ST-2500 offer solid, reliable performance. For rates up to 65 bottles per minute, our standard stretch sleeve applicators will soon become the workhorse of your operation. All are field-tested to deliver proven

performance at a very cost effective price point.

No matter what your situation, Axon/Styrotech offers smooth operation you'll soon take for granted. All with the service commitment and technical support you'd expect from a world-class company. Why not let us quote your next job?

Our patented intermittent motion machines ensure high efficiency consistent label placement and improved uptime.



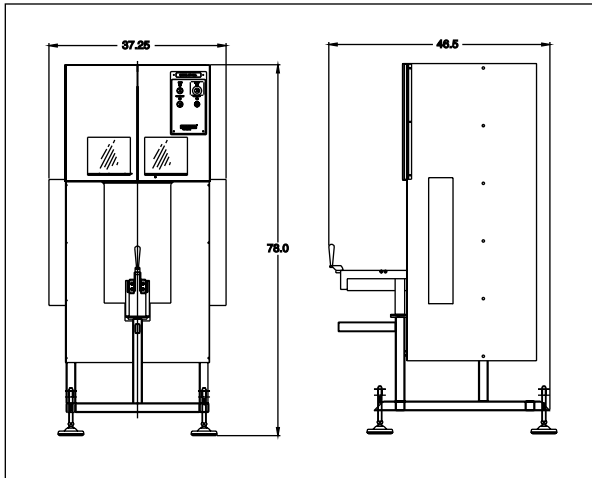
Offering greater flexibility, quick change parts let you easily adapt to diverse shapes and sizes, reducing downtime and increasing throughput.

Turn-key systems for labeling applications mean projects will never have to be put on hold, no matter how custom your needs.

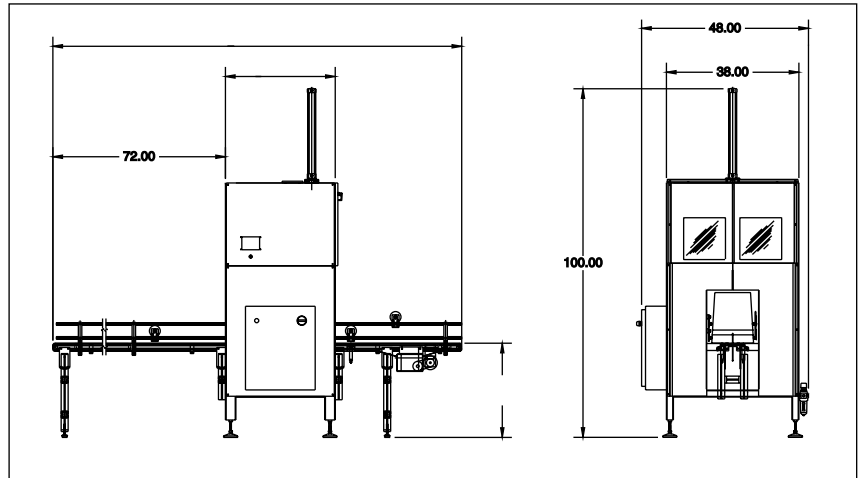
Specifications

Model	Maximum Rate (CPM)	Electric Power	Maximum Bottle Size	Compressed Air (@ 80 PSI)	Technology	Weight (Pounds)
ST-700L	Semi-Auto	110, 5 amps.	20 Liter	6 cfm	Semi-Auto	800
ST-925L	25	110, 5 amps.	20 Liter	6 cfm	In-Line	900
ST-1500	30	110, 5 amps.	5 Liter	8 cfm	Intermittent	1,500
ST-2500	65	220, 10 amps.	5 Liter	1.5 cfm	Intermittent	2,000

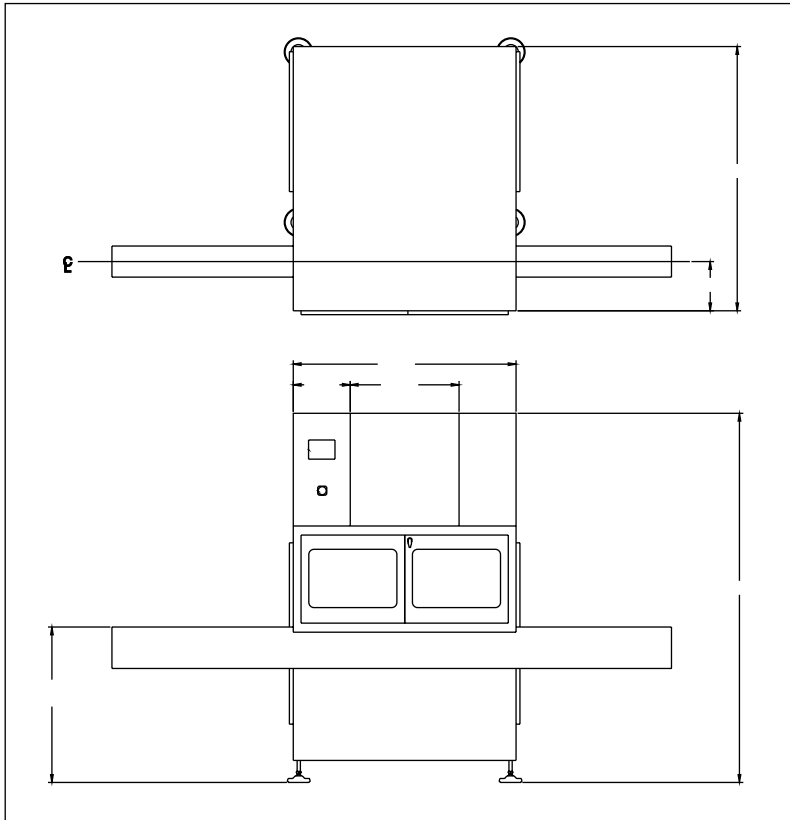
ST-700L



ST-925L



ST-2500/ST-1500



All model drawings are available for review at www.axoncorp.com

**No One On
The Planet
Sells More
Labeling
Machines**



A Pro Mach Operating Partner

1341 EXPRESS DRIVE, RALEIGH, NC 27603
 PHONE: 800-598-8601 / 919-772-8383
 FAX: 919-772-5575
 E-MAIL: INFO@AXONCORP.COM
 HTTP://WWW.AXONCORP.COM

