



SERIES ICS



Semiautomatic rotary bottling machine for filling bottles, suitable for corrosive and non-corrosive liquids.



Technical Features

- Manual placing of the bottle
- Gravity volumetric filling
- Dosing adjustment 250 to 5.000cc.
- Pneumatic valves with no-drop system
- Bottle supporting plane adjustable in height
- Continuous adjustment variable speed drive.

Structure

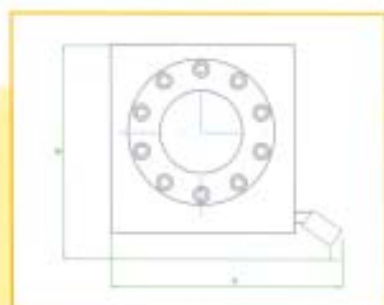
Stainless steel, polyethylene, polypropylene, PVC, according to the chemical features of the product to fill. Acid proof varnish.

Optional

Machine enclosure with acid fumes aspirator.
Plastic pump for tank feeding.

Power

400/24 + compressed air.



MODEL	Filling Heads	Filling	Dosing range	Capacity l/hour	Overall dimensions		
					A	B	H
ICS 8/2 2 lt	8	gravity	500/2000	2000	1150	1150	2300
ICS 10/2 2 lt	10	gravity	500/2000	2500	1150	1150	2300
ICS 12/2 2 lt	12	gravity	500/2000	3000	1250	1250	2300
ICS 6/5 5 lt	6	gravity	1000/5000	3200	1150	1150	2400
ICS 8/5 5 lt	8	gravity	1000/5000	4500	1250	1250	2400
ICS 10/5 5 lt	10	gravity	1000/5000	5500	1350	1350	2400